

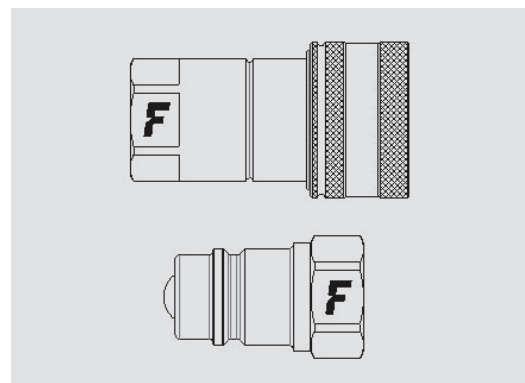
# NS



## Standard couplings with ball valve. Faster interchangeability (except size 12,5).

Standard couplings for general purpose applications with ball valve shut-off system. Faster proprietary profile (1/2" size only) is interchangeable according to ISO 7241-1 part A).

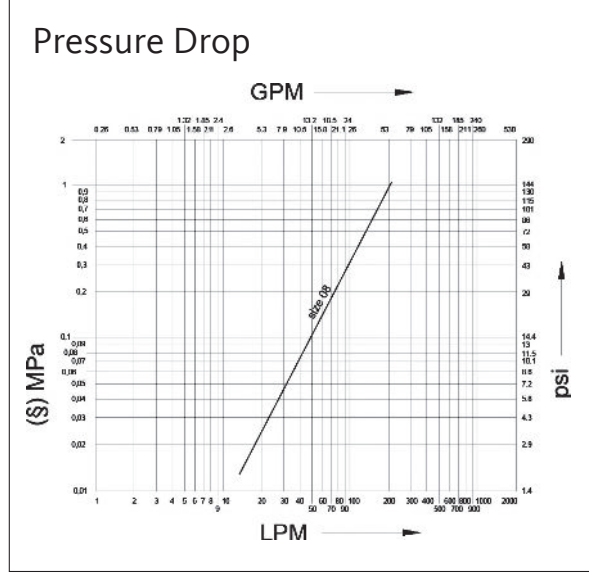
### Applications



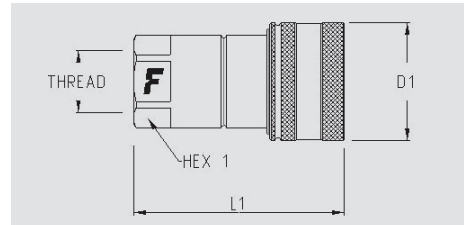
## Technical Specifications

dash	Size		Working Pressure (MPa)	Flow Rate (l/min)	Spillage (ml)	Force to Connect (N)	Burst pressure (MPa)		
	mm	inch					Male	Female	Male + Female
04	6,3	1/4"	25	15	0,7	55	100	100	140
06	10	3/8"	25	30	1	85	100	100	140
08	12,5	1/2"	20	50	1,5	90	80	100	120
12	20	3/4"	17	80	7	170	68	95	150
16	25	1"	22	140	11	140	90	120	160

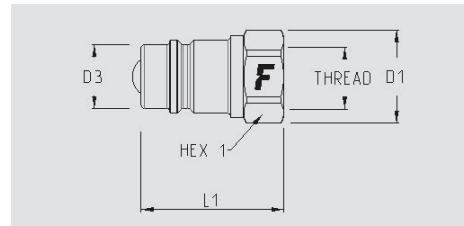
Material	<b>Steel</b>
Seals	<b>NBR</b>
Working temperatures	<b>- 25 °C to + 125 °C</b>
Surface treatment	<b>MATE 500 (CrIII)</b>
Series Interchange	<b>FASTER</b>
Valve Type	<b>Ball</b>
Connection	<b>Sleeve Retraction</b>
Disconnection	<b>Sleeve Retraction</b>
Connection Under Pressure	<b>Not Allowed</b>



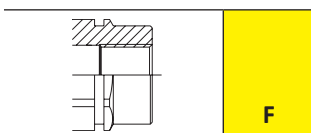
NS



Size		Thread details			FEMALE						
inch	mm	Thread Type	Standard	Thread	Part Number	L (L1 + Thread)		D1		HEX1	
						mm	inch	mm	inch	mm	inch
1/4"	6,3	F BSPP	ISO 1179-1	BSPP 1/4 FEMALE	NS 14 GAS F	50	1,97	27	1,06	19	0,75
1/4"	6,3	F NPTF	ANSI B1.20.3	NPTF 1/4 FEMALE	NS 14 NPT F	50	1,97	27	1,06	19	0,75
3/8"	10	F BSPP	ISO 1179-1	BSPP 3/8 FEMALE	NS 38 GAS F	59,5	2,34	33	1,3	24	0,94
3/8"	10	F NPTF	ANSI B1.20.3	NPTF 3/8 FEMALE	NS 38 NPT F	59,5	2,34	33	1,3	24	0,94
1/2"	12,5	F BSPP	ISO 1179-1	BSPP 1/2 FEMALE	NS 12 GAS F	68	2,68	38	1,5	27	1,06
1/2"	12,5	F NPTF	ANSI B1.20.3	NPTF 1/2 FEMALE	NS 12 NPT F	68	2,68	38	1,5	27	1,06
3/4"	20	F BSPP	ISO 1179-1	BSPP 3/4 FEMALE	NS 34 GAS F	82,5	3,25	48	1,89	34	1,34
3/4"	20	F NPTF	ANSI B1.20.3	NPTF 3/4 FEMALE	NS 34 NPT F	82	3,23	48	1,89	34	1,34
3/4"	20	F NPTF	ANSI B1.20.3	NPTF 3/4 FEMALE	NS 34 NPT F V	82,5	3,25	48	1,89	34	1,34
1"	25	F BSPP	ISO 1179-1	BSPP 1 FEMALE	NS 1 GAS F	96,5	3,8	56	2,2	41	1,61
1"	25	F NPTF	ANSI B1.20.3	NPTF 1 FEMALE	NS 1 NPT F	96,5	3,8	56	2,2	41	1,61



Size		Thread details			MALE								
inch	mm	Thread Type	Standard	Thread	Part Number	L (L1 + Thread)		D1		D3		HEX1	
						mm	inch	mm	inch	mm	inch	mm	inch
1/4"	6,3	F BSPP	ISO 1179-1	BSPP 1/4 FEMALE	NS 14 GAS M	33	1,3	21	0,83	14,1	0,56	19	0,75
1/4"	6,3	F NPTF	ANSI B1.20.3	NPTF 1/4 FEMALE	NS 14 NPT M	33	1,3	21	0,83	14,1	0,56	19	0,75
3/8"	10	F BSPP	ISO 1179-1	BSPP 3/8 FEMALE	NS 38 GAS M	39	1,54	27	1,06	18,9	0,74	24	0,94
3/8"	10	F NPTF	ANSI B1.20.3	NPTF 3/8 FEMALE	NS 38 NPT M	39	1,54	27	1,06	18,9	0,74	24	0,94
1/2"	12,5	F BSPP	ISO 1179-1	BSPP 1/2 FEMALE	NS 12 GAS M	46	1,81	30	1,18	20,5	0,81	27	1,06
1/2"	12,5	F NPTF	ANSI B1.20.3	NPTF 1/2 FEMALE	NS 12 NPT M	46	1,81	30	1,18	20,5	0,81	27	1,06
3/4"	20	F BSPP	ISO 1179-1	BSPP 3/4 FEMALE	NS 34 GAS M	53,5	2,11	38	1,5	27,9	1,1	34	1,34
3/4"	20	F NPTF	ANSI B1.20.3	NPTF 3/4 FEMALE	NS 34 NPT M	53	2,09	38	1,5	27,9	1,1	34	1,34
1"	25	F BSPP	ISO 1179-1	BSPP 1 FEMALE	NS 1 GAS M	63	2,48	45	1,77	31,3	1,23	41	1,61
1"	25	F NPTF	ANSI B1.20.3	NPTF 1 FEMALE	NS 1 NPT M	63	2,48	45	1,77	31,3	1,23	41	1,61



# NS Accessories

## PVC dust caps



Plugs suitable for FEMALE



Caps suitable for MALE

Size			Plug Details		Size			Plug Details	
inch	mm	dash	Part number	Colour	inch	mm	dash	Part number	Colour
1/4"	6,3	04	TM 14	blue	1/4"	6,3	04	TF 14	blue
1/4"	6,3	04	TM 14 A	orange	1/4"	6,3	04	TF 14 G	yellow
1/4"	6,3	04	TM 14 G	yellow	1/4"	6,3	04	TF 14 N	black
1/4"	6,3	04	TM 14 GR	grey	1/4"	6,3	04	TF 14 R	red
1/4"	6,3	04	TM 14 N	black	1/4"	6,3	04	TF 14 V	green
1/4"	6,3	04	TM 14 R	red	3/8"	10	06	TF 38	blue
1/4"	6,3	04	TM 14 V	green	3/8"	10	06	TF 38 R	red
3/8"	10	06	TM 38	blue	1/2"	12,5	08	TF 12	blue
3/8"	10	06	TM 38 R	red	1/2"	12,5	08	TF 12 A	orange
1/2"	12,5	08	TM 12 L	blue	1/2"	12,5	08	TF 12 G	yellow
1/2"	12,5	08	TM 12 L/A	orange	1/2"	12,5	08	TF 12 GR	grey
1/2"	12,5	08	TM 12 L/G	yellow	1/2"	12,5	08	TF 12 M	brown
1/2"	12,5	08	TM 12 L/M	brown	1/2"	12,5	08	TF 12 N	black
1/2"	12,5	08	TM 12 L/N	black	1/2"	12,5	08	TF 12 R	red
1/2"	12,5	08	TM 12 L/R	red	1/2"	12,5	08	TF 12 V	green
1/2"	12,5	08	TM 12 L/V	green	3/4"	20	12	TF 34	blue
3/4"	20	12	TM 34	blue	1"	25	16	TF 1	blue
1"	25	16	TM 1	blue					



Plugs suitable for FEMALE

Size			Plug Details	
inch	mm	dash	Part number	Colour
1/2"	12,5	08	TM 12-38	blue
1/2"	12,5	08	TM 12-38 G	yellow
1/2"	12,5	08	TM 12-38 GR	grey
1/2"	12,5	08	TM 12-38 M	brown
1/2"	12,5	08	TM 12-38 N	black
1/2"	12,5	08	TM 12-38 R	red
1/2"	12,5	08	TM 12-38 V	green

## NS Accessories

### Aluminium dust caps



**Plugs suitable for FEMALE**



**Caps suitable for MALE**

Size			Plug Details		Size			Cap Details	
inch	mm	dash	Part number	Colour	inch	mm	dash	Part number	Colour
1/4"	6,3	04	TM 14 S		1/4"	6,3	04	TF 14 S	
1/2"	12,5	08	TM 12 S		1/2"	12,5	08	TF 12 S	
3/4"	20	12	TM 34 S		3/4"	20	12	TF 34 S	
1"	25	16	TM 1 S		1"	25	16	TF 1 S	

### Seal Kits



#### For Female

Size			Seal Details	
inch	mm	dash	Material	Part Number
1/4"	6,3	04	NBR; PTFE	SK NV 14
3/8"	10	06	NBR; PTFE	SK NV 38
1/2"	12,5	08	NBR; PTFE	SK NV 12
3/4"	20	12	NBR; PTFE	SK NV 34
1"	25	16	NBR; PTFE	SK NV 1

Every seals kit is composed of 5 or 10 pcs.